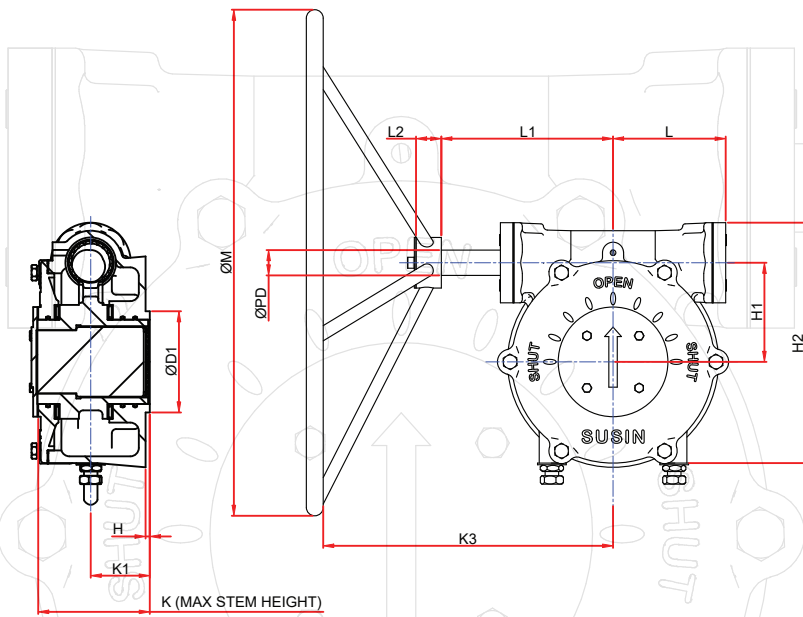
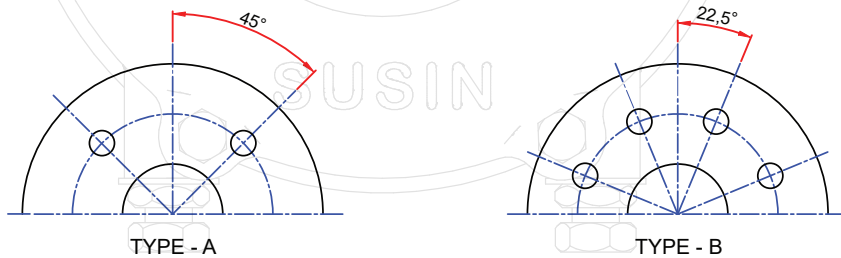


## WORM GEAR ACTUATOR – GENERAL



### ISO 5211 FLANGE MOUNTING DETAILS



TYPE - A

TYPE - B

## DIMENSIONS

MODEL	TYPE	ØD1	STANDARD		OPTION		H	H1	H2	K	K1	K3	L	L1	L2	ØPD / □SQ	HAND WHEEL ØM
			FLANGE	PCD	FLANGE	PCD											
MAW-012		NA	F05	50	F07	70	NA	37	92	54	33	140	35	75	20	□ 9	100
MAW-025		NA	F07	70	F05	50	NA	42	108	70	35	140	45	110	20	□11	200
MAW-045		NA	F10	102	F07	70	NA	49	120	73	35	165	55	110	20	□11	250
MAW-080	A	85	F12	125	F10	102	2	75	162	91.5	45	205	80	120	24	Ø16	400
MAW-100		85	F12	125	F10	102	2	75	162	91.5	45	205	80	120	24	Ø16	500
MAW-200		100	F14	140	F12	125	3	79.5	210	100	45	295	106.5	200	35	Ø20	500
MAW-300		130	F16	165	F20	205	3	100	251	135	67	354	121.5	210	35	Ø25	600
MAW-400		130	F20	205	F16	165	5	117.5	285	132.3	70	333.5	133.5	173.5	35	Ø30	600
MAW-650		160	F20	205	F16	165	4	126	281	160	80	370	158.5	235	40	Ø25	600
MAW-900		200	F25	254	F30	298	5	154	380	175	85	475	193	335	40	Ø23	710
MAW-1200		230	F30	298	F25	254	5	168	380	195	93	400	185.5	253.5	40	Ø23	710
MAW-1500	B	230	F30	298	F25	254	5	180	420	200	95	420	200	260	40	Ø25	800
MAW-1800		230	F30	298	F25	254	5	190	480	158	98	440	220	262	45	Ø30	850
MAW-2400		260	F35	356	F30	298	8	210	520	160	100	460	240	265	45	Ø35	900
MAW-3200		260	F35	356	F30	298	8	234	550	110	108.7	375	250	270	30	Ø35	900

Mentioned specifications & dimensions are subject to change without prior notice for quality improvement