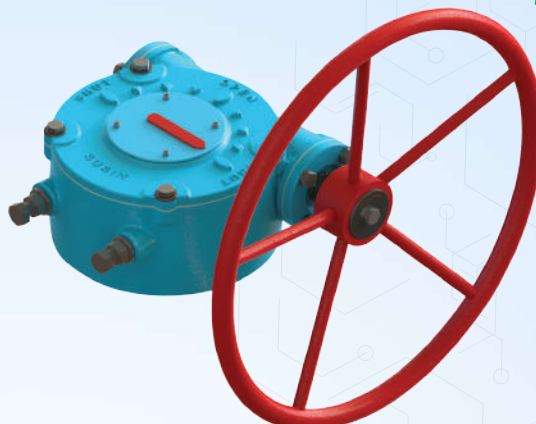


SUSIN I-TORK INDIA PRIVATE LIMITED

An ISO 9001 -2015 Certified Company



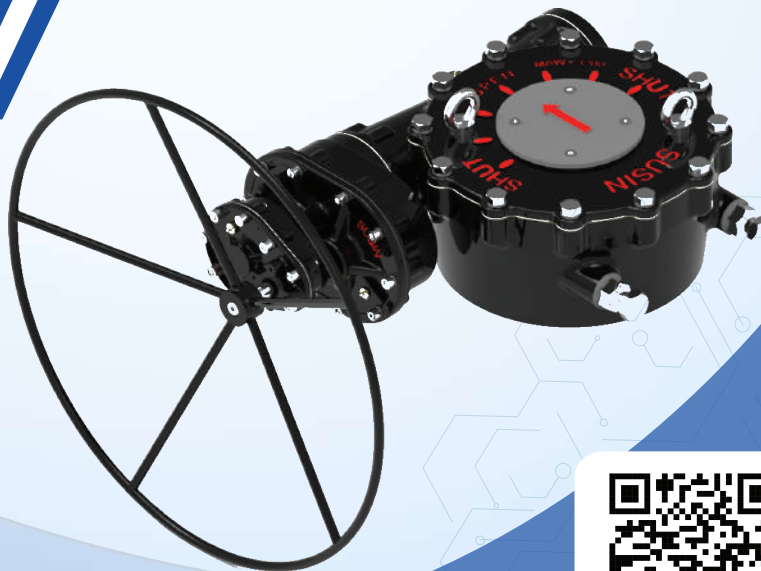
MAW Series



WORM GEAR SERIES

Quarter turn Manual Worm Gear Actuator

MECHANICAL
ACTUATORS



Scan QR Code
to visit our website

www.susinma.com

About

SUSIN I-TORK INDIA PRIVATE LIMITED

Susin Group was founded by Mr. Muthukumar in 1992, as a company specialized in the design, manufacture and installation of Valve automation products to different industries. In 2006 the company stepped into marketing to manufacturing, and to focus more on valve automation industrial requirements. We are providing complete automation solution to all kind of Valve Industries where we equipped to support in pneumatic, hydraulic, electrical & mechanical actuators. susin produces various range of critical products in different applications.

WORM GEAR ACTUATOR - MAW SERIES

MAW Series gear box is rocky with robust design, industrial grade products, manufactured with cast Iron housing and components. These series of gear box will provide an easy operation and reliable surface finish coatings.

APPLICATION

MAW Series Gear Boxes are suitable for all rotary types of valves like Ball Valve, Butterfly Valves and Plug Valves and Dampers. Also, it is highly suitable for all general-purpose Industries as well as chemical, power, HVAC, and waterworks industries. hand wheels are available in a variety of sizes for smooth and easy operation.

Several options such as limit switch, electrical actuator can be easily mounted on site without any machining due to integration of all necessary incorporated with housing.

FEATURE

- Torque Range 100 to 32000Nm with Gear Reduction Attachment
- $\pm 5^\circ$ Stroke Adjustment
- IP Rating-IP54, IP55, IP65 and IP67M
- Temperature Range -20°C to $+85^\circ\text{C}$ (Standard)
- -45°C to $+120^\circ\text{C}$ (Low Temperature)
- Ductile Iron Housing (Cast Iron Optional)
- Steel Input Shaft (Stainless Steel Optional)
- Bearing Construction
- Epoxy & PU Coating for Housing and Powder Coated Hand Wheel



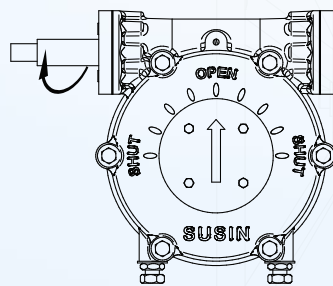
Bushing Type

- Splines are permitted accurate alignment of valve stem key.

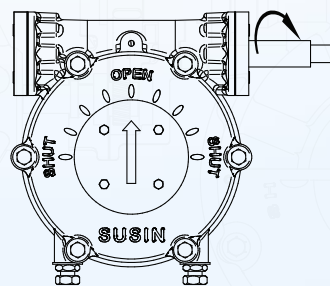


MOV Flange (For Electrical Actuator)

- Worm gear actuator can provide with electrically operated actuators with ISO-5210 mounting dimensions.



LH - Clockwise to Close



RH - Clockwise to Close

OUR GLOBAL PARTNERS



TECHNICAL SPECIFICATIONS

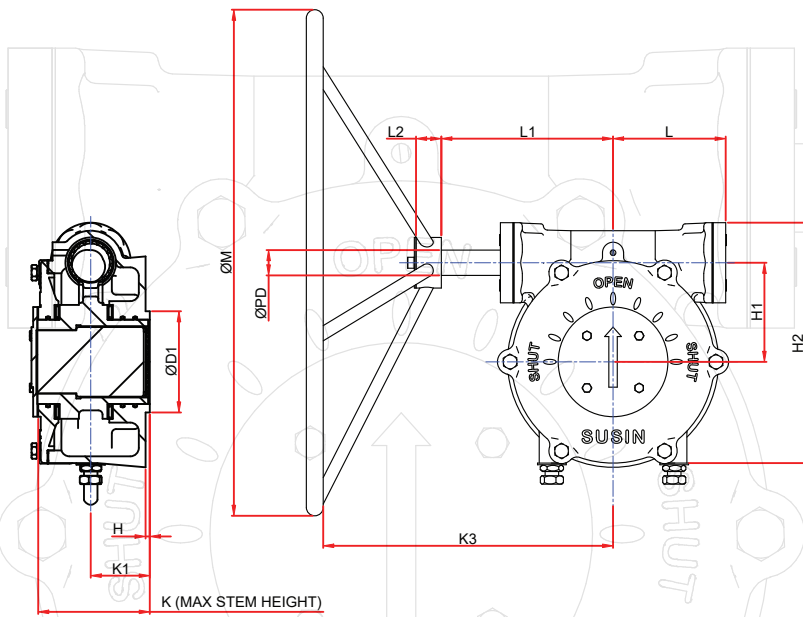
MODEL NO	Output Torque		M.A ± 10 %	Gear Ratio	Valve Mounting ISO 5211		NO of Turns	Recommended Hand Wheel Dia (mm)	Rim Pull Effort In Kg	Approx Unit Weight (Kg)
	Nm	Ft-lbs			Standard	Option				
MAW-012	125	92.20	6.00	32:1	F05	F07	8	100	63.78	4
MAW-025	250	184.40	7.00	32:1	F07	F05	8	200	63.78	4.5
MAW-045	450	331.90	8.00	38:1	F10	F07	9.5	250	45.92	5.5
MAW-080	800	590.00	12.20	40:1	F12	F10	10	400	33.46	10
MAW-100	1000	737.60	12.20	40:1	F12	F10	10	500	33.46	11
MAW-200	2000	1475.00	12.50	42:1	F14	F12	10.5	500	65.31	20
MAW-300	3000	2212.70	16.50	52:1	F16	F20	13	600	61.84	33
MAW-400	4000	2950.00	16.50	56:1	F20	F16	14	600	82.46	43
MAW-650	6500	4794.00	17.50	52:1	F20	F16	13	600	126.34	57
MAW-900	9000	6638.00	20.00	66:1	F25	F30	16.5	710	129.35	88
MAW-1200	12000	8851.00	20.50	68:1	F30	F25	17	710	168.26	100
MAW-1500	15000	11063.00	21.00	60:1	F30	F25	15	800	182.22	130
MAW-1800	18000	13276.00	21.00	62:1	F30	F25	15.5	850	205.80	160
MAW-2400	24000	17701.00	21.00	56:1	F35	F30	14	900	259.15	190
MAW-3200	32000	23602.00	22.00	58:1	F35	F30	14.5	900	329.83	235

MODEL NO	Output Torque		M.A ± 10 %	Gear Ratio	Valve Mounting ISO 5211		NO of Turns	Recommended Hand Wheel Dia (mm)	Rim Pull Effort In Kg	Approx Unit Weight (Kg)
	Nm	Ft-lbs			Standard	Option				
MAW-300-1S	3000	2212.70	29.70	102:1	F16	F20	25.5	600	34.36	42
MAW-400-1S	4000	2950.00	37.46	144:1	F20	F16	36	600	36.32	53
MAW-650-1S	6500	4794.00	49.00	156:1	F20	F16	39	600	45.12	67
MAW-900-1S	9000	6638.00	56.00	198:1	F25	F30	49.5	710	46.20	98
MAW-1200-1S	12000	8851.00	57.40	204:1	F30	F25	51	710	60.09	110
MAW-1500-1S	15000	11063.00	79.80	240:1	F30	F25	60	850	45.13	140
MAW-1800-1S	18000	13276.00	79.80	248:1	F35	F30	62	850	54.16	165
MAW-2400-1S	24000	17701.00	79.80	224:1	F35	F30	56	900	68.20	210
MAW-3200-1S	32000	23602.00	83.60	232:1	F35	F30	58	900	86.80	225

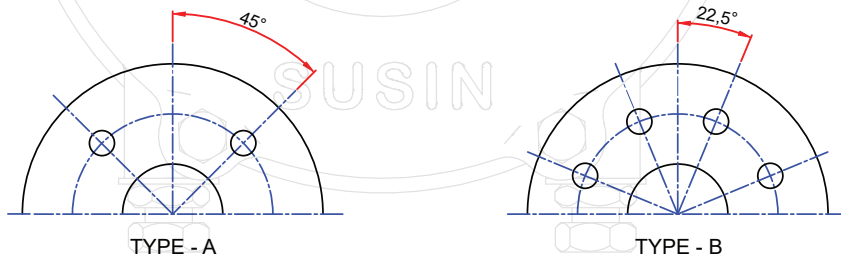
MODEL NO	Output Torque		M.A ± 10 %	Gear Ratio	Valve Mounting ISO 5211		NO of Turns	Recommended Hand Wheel Dia (mm)	Rim Pull Effort In Kg	Approx Unit Weight (Kg)
	Nm	Ft-lbs			Standard	Option				
MAW-900-2S	9000	8851.00	156.8	594:1	F25	F30	148.5	710	16.50	108
MAW-1200-2S	12000	11063.00	160.72	612:1	F30	F25	153	710	21.46	118
MAW-1500-2S	15000	11063.00	164.64	528:1	F30	F25	132	850	21.87	135
MAW-1800-2S	18000	13276.00	303.24	992:1	F35	F30	248	850	14.25	188
MAW-2400-2S	24000	17701.00	303.240	896:1	F35	F30	224	900	17.95	210
MAW-3200-2S	32000	23602.00	317.680	928:1	F35	F30	232	900	22.84	270

Mentioned specifications & dimensions are subject to change without prior notice for quality improvement

WORM GEAR ACTUATOR – GENERAL



ISO 5211 FLANGE MOUNTING DETAILS



TYPE - A

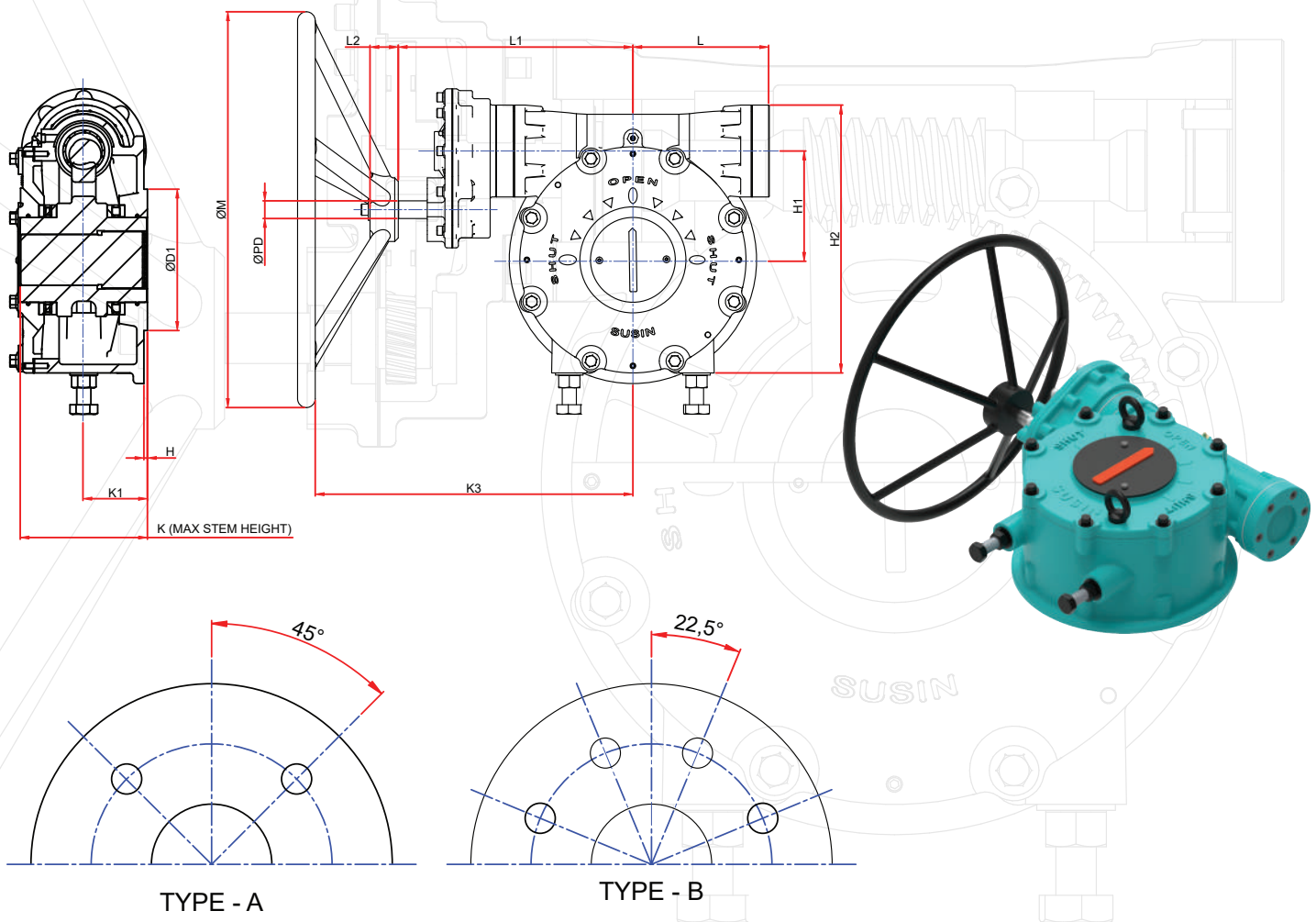
TYPE - B

DIMENSIONS

MODEL	TYPE	ØD1	STANDARD		OPTION		H	H1	H2	K	K1	K3	L	L1	L2	ØPD / □SQ	HAND WHEEL ØM
			FLANGE	PCD	FLANGE	PCD											
MAW-012		NA	F05	50	F07	70	NA	37	92	54	33	140	35	75	20	□ 9	100
MAW-025		NA	F07	70	F05	50	NA	42	108	70	35	140	45	110	20	□11	200
MAW-045		NA	F10	102	F07	70	NA	49	120	73	35	165	55	110	20	□11	250
MAW-080	A	85	F12	125	F10	102	2	75	162	91.5	45	205	80	120	24	Ø16	400
MAW-100		85	F12	125	F10	102	2	75	162	91.5	45	205	80	120	24	Ø16	500
MAW-200		100	F14	140	F12	125	3	79.5	210	100	45	295	106.5	200	35	Ø20	500
MAW-300		130	F16	165	F20	205	3	100	251	135	67	354	121.5	210	35	Ø25	600
MAW-400		130	F20	205	F16	165	5	117.5	285	132.3	70	333.5	133.5	173.5	35	Ø30	600
MAW-650		160	F20	205	F16	165	4	126	281	160	80	370	158.5	235	40	Ø25	600
MAW-900		200	F25	254	F30	298	5	154	380	175	85	475	193	335	40	Ø23	710
MAW-1200		230	F30	298	F25	254	5	168	380	195	93	400	185.5	253.5	40	Ø23	710
MAW-1500	B	230	F30	298	F25	254	5	180	420	200	95	420	200	260	40	Ø25	800
MAW-1800		230	F30	298	F25	254	5	190	480	158	98	440	220	262	45	Ø30	850
MAW-2400		260	F35	356	F30	298	8	210	520	160	100	460	240	265	45	Ø35	900
MAW-3200		260	F35	356	F30	298	8	234	550	110	108.7	375	250	270	30	Ø35	900

Mentioned specifications & dimensions are subject to change without prior notice for quality improvement

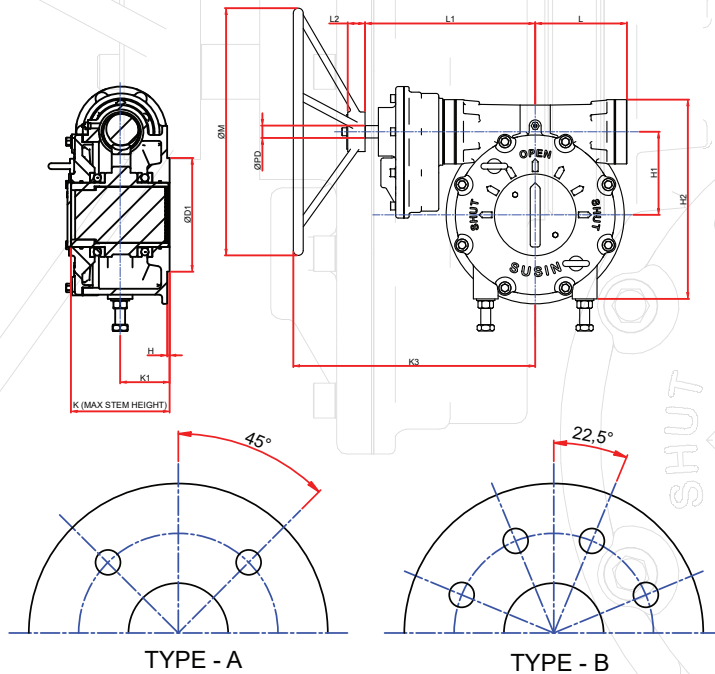
WORM GEAR ACTUATOR – WITH SINGLE STAGE HELICAL GEAR REDUCTION ATTACHMENT



MODEL	TYPE	ØD1	STANDARD		OPTION		H	H1	H2	K	K1	K3	L	L1	L2	ØPD/ □SQ	HAND WHEEL ØM
			FLANGE	PCD	FLANGE	PCD											
MAW-300-1S	A	130	F16	165	F20	205	3	100	251	135	67	375	121.5	230	35	Ø25	600
MAW-400-1S		130	F20	205	F16	165	2	117.5	315	128	70	400	124	250	38	Ø25	600
MAW-650-1S		160	F20	205	F16	165	4	126	281	160	80	440	121.5	425	40	Ø23	600
MAW-900-1S		200	F25	254	F30	298	5	154	380	175	85	475	193	330	40	Ø23	710
MAW-1200-1S		230	F30	298	F25	254	5	168	403	195	93	520	185.5	375.5	40	Ø23	710
MAW-1500-1S	B	230	F30	298	F25	254	5	180	420	200	95	522	200	390	40	Ø25	850
MAW-1800-1S		260	F35	356	F30	298	5	160	480	158	98	525	220	400	45	Ø30	850
MAW-2400-1S		260	F35	356	F30	298	8	210	520	160	100	528	240	410	45	Ø35	900
MAW-3200-1S		260	F35	356	F30	298	8	234	550	110	108.7	530	250	420	30	Ø35	900

Mentioned specifications & dimensions are subject to change without prior notice for quality improvement

WORM GEAR ACTUATOR – WITH DOUBLE STAGE HELICAL GEAR REDUCTION ATTACHMENT



MODEL	TYPE	ØD1	STANDARD		OPTION		H	H1	H2	K	K1	K3	L	L1	L2	ØPD/ □SQ	HAND WHEEL ØM
			FLANGE	PCD	FLANGE	PCD											
MAW-900-2S		200	F25	256	F30	298	5	150	410	147	80	515	193	370	40	Ø23	710
MAW-1200-2S		230	F30	298	F25	254	5	168	403	195	93	490	185.5	344	40	Ø23	710
MAW-1500-2S	B	230	F30	298	F25	254	5	180	420	200	95	500	200	350	40	Ø25	850
MAW-1800-2S		260	F35	356	F30	298	5	160	480	158	98	530	220	380	45	Ø30	850
MAW-2400-2S		260	F35	356	F30	298	8	210	520	160	100	535	240	400	45	Ø35	900
MAW-3200-2S		260	F35	356	F30	298	8	234	550	110	108.7	540	250	427	30	Ø35	900

Mentioned specifications & dimensions are subject to change without prior notice for quality improvement

HANDWHEEL

- ☑ Varies type of casting, fabricated handwheels & chain wheels can be offered by Susin.
- ☑ High quality material has been used for best construction.
- ☑ **Quick Response** : With hand wheels, you can quickly open or close valves in response to changing conditions, maintenance needs.
- ☑ **Visual Positioning** : Hand wheels have markings or indicators that show the position of the valve. This visual reference allows operators to determine the valve's status at a glance.



Casting Hand Wheel

Ranges from 4" to 16"



Chain Hand Wheel

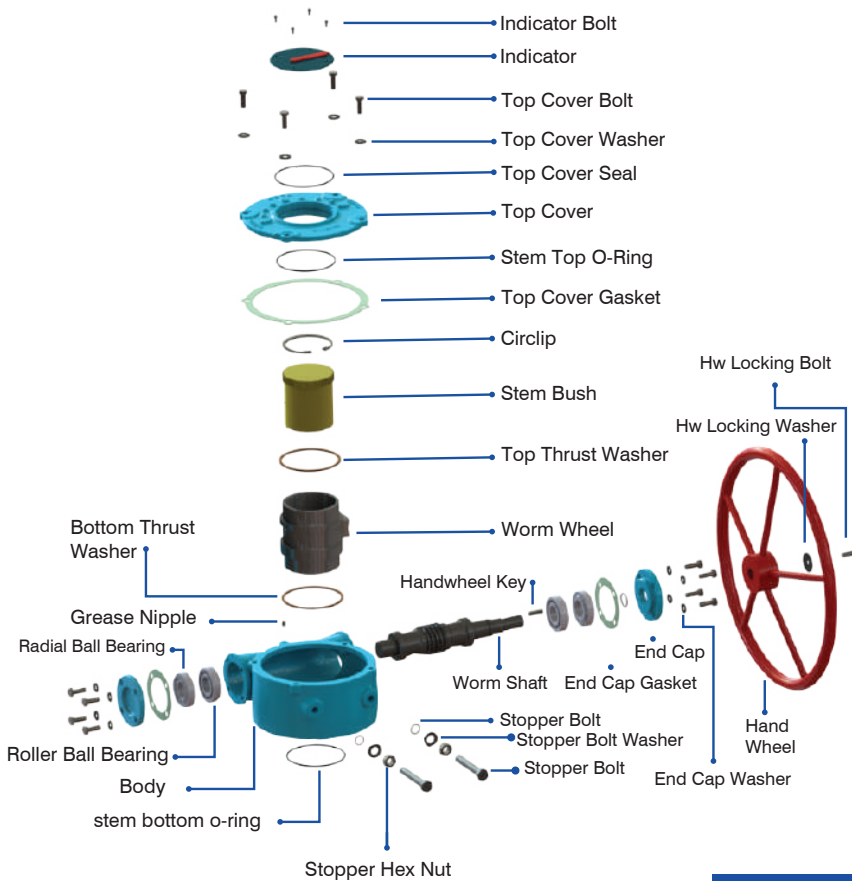
Ranges from 4" to 24"



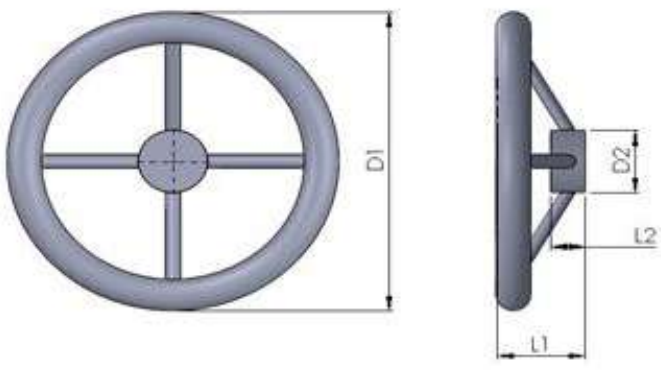
Fabricated Hand Wheel

Ranges from 4" to 40"

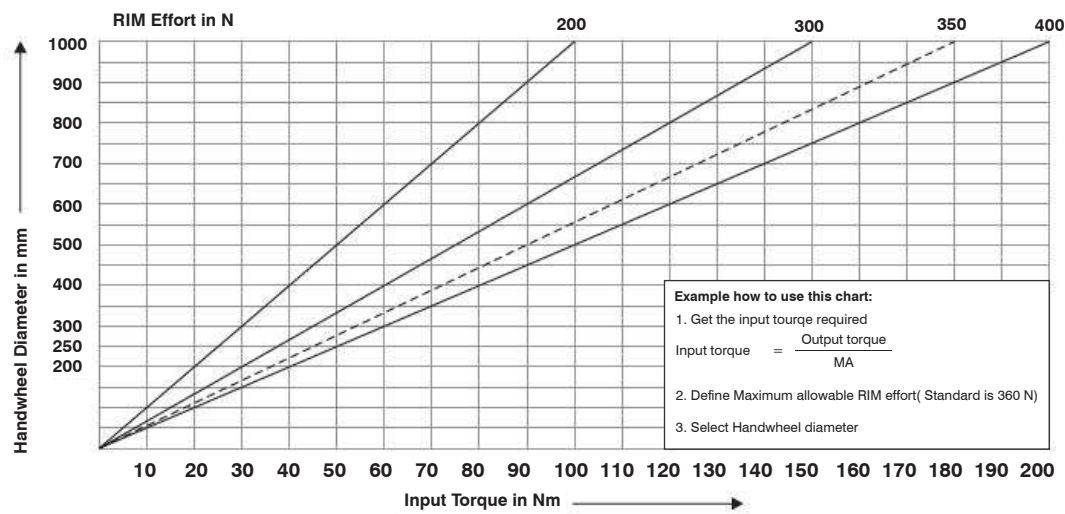
EXPLODED VIEW



S.NO	PARTS NAME	MATERIAL
1	MAW Housing	Ductile iron
2	MAW Cover	Ductile iron
3	Worm Wheel	Ductile iron
4	Drive Shaft	Carbon Steel
5	Worm Shaft	Carbon Steel
6	RH Cover	Ductile iron
7	LH Cover	Ductile iron
8	Top Thrust Washer	Steel
9	Bottom Thrust Washer	Steel
10	Side Cover Gasket	Non-Asbestos
11	Top Cover Gasket	Non-Asbestos
12	Stopper Bolt	Carbon Steel
13	Grease Nipple	BRASS
14	Hand Wheel	Steel
15	Indication Plate	Stainless Steel
16	Name Plate Rivet	Steel
17	Fasteners	



S.NO	WHEEL OD D1	HEIGHT L1	BUSH DIA D2	BUSH LENGTH L2	NO. OF SPOKES
01	100	80	50	25	3
02	200	80	50	25	3
03	250	90	70	35	3
04	300	90	70	35	5
05	400	90	70	35	5
06	500	100	70	35	5
07	600	100	70	35	5
08	710	100	70	35	5
09	800	130	80	45	6
10	900	130	80	45	6
11	1000	130	90	60	6



Other Products



Hydraulic Actuators

(Rotary & Linear types)



Electrical Actuators

(Rotary & Linear types)

MAW Series



Pneumatic Actuators

(Rotary & Linear types)

Susin Group Global Presence



MANUFACTURING FACILITIES



INDIA

SUSIN I-TORK INDIA PRIVATE LIMITED
43A9 , Vadakku Thottam, Idigarai,
Coimbatore, Tamilnadu, India - 641022
E-mail : venkat@susinma.com
Website : www.susinma.com
Tel : +91 95009 96064



KOREA

I-TORK CONTROLS LTD
74-6 , Chunui-Dong, Wonmi-Gu, Bucheon Si,
Gyeonggi-Do, South Korea, Zip : 420-120
Tel : +82-2-855-1365
Fax : +82-2-855-1367
E-mail : we123@itork.com
Website : www.i-tork.com



Germany

KTC SYSTEMTECHNIK GMBH
Krähenweg 11, D 22459 Hamburg,
Germany
Tel : +49 (0)40 5714752-0
Fax : +49 (0)40 5714752-22
E-mail : teichler@ktc-systemtechnik.de

SALES & SUPPORT



SINGAPORE

AHF INDUSTRIES - HEAD OFFICE
2 , Kallang Pudding #07-12, #06-05/06,
Mac Tech Building Singapore, 349307
Tel : +65 6748 8108
Fax 1 : +65 6842 5567
Fax 2 : +65 6748 8917



QATAR

SUSIN QATAR TRADING & CONTRACTING W.L.L
Arkan Building No.6, 2nd Floor, Office 46
Barwa Commercial Avenue, Abu Hamour
P.O. Box - 220, Doha, Qatar
Tel : +974-3164 8923 | +974-4476 9988
E-mail : sales@susingqatar.com
Website : www.susingroup.com



UNITED ARAB EMIRATES

SUSIN I-TORK ME FZC
Y61 , Executive Suite
Post Box No - 122643, Saif Zone Sharjah
United Arab Emirates
Tel : +971 6 704 4397

GLOBAL ASSEMBLY CENTER



MALAYSIA

SUSIN I-TORK ASIA PACIFIC SDN BHD
No. 1, Jalan Atma 2, Compass @ Kuala Langat, Kawasan Perindustrian
Kota Seri Langat, 42700 Banting, Kuala Langat, Selangor, MALAYSIA.
E-mail : cky@susinitorkap.com
Website : www.susingroup.com
Tel : +603-8024-0940

Scan QR Code to
download E-Catalogue

